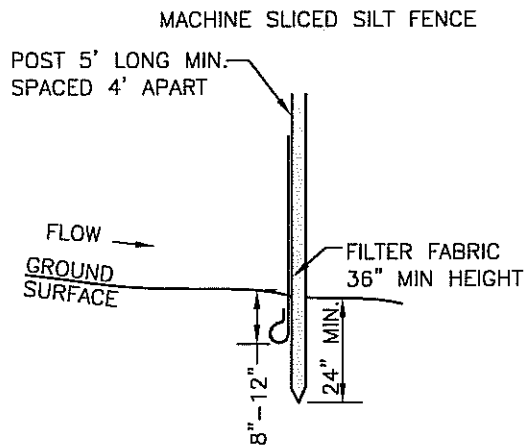


ALL SILT FENCE SHALL BE PROPEX
2127 OR GEOTEX 915SC (OR
OTHER APPROVED EQUAL)



SILT FENCE INSTALLATION DETAIL

P:\STDDWGS\EROSION CONTROL.dwg



DATE:
3/14/05

PROJECT:

EROSION CONTROL SILT FENCE

CITY ENGINEER
ALLEN GRASSER

SCALE:
NONE

DRAWN BY:
MK

SPEC:
?????