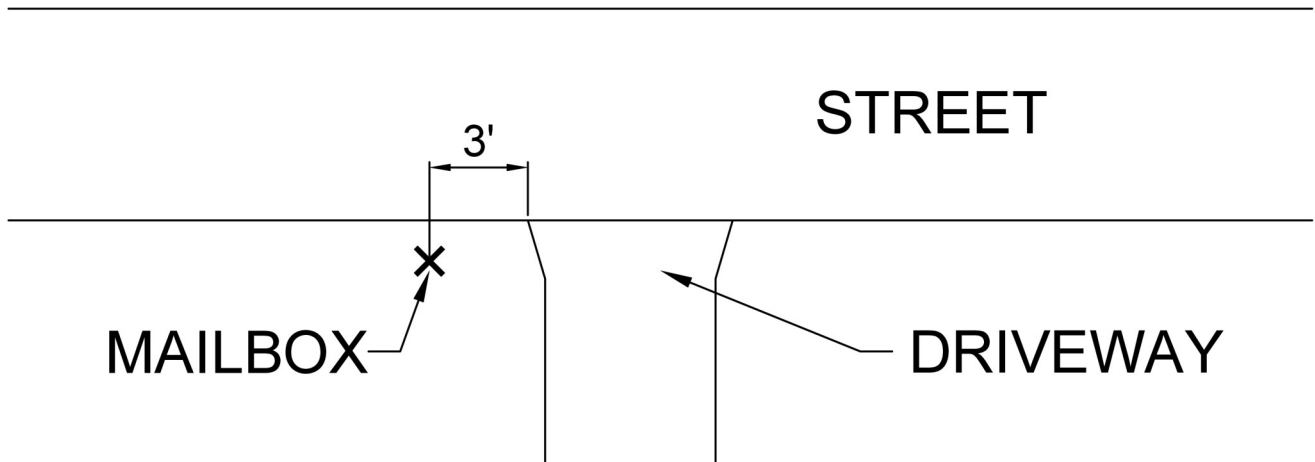
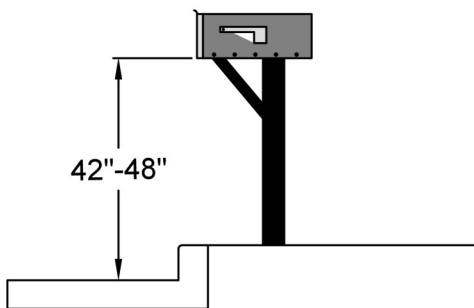


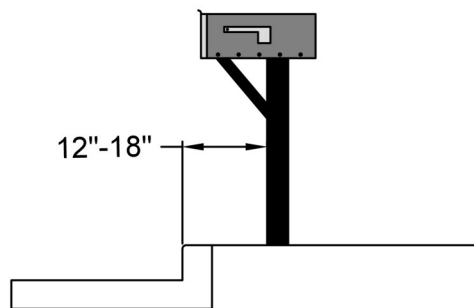
MAILBOX LOCATIONS



As you face the street, Mail boxes should be placed on the left hand side of your driveway approach for better clearing of snow from the driveways during winter maintenance.



Bottom of mailbox must be 42-48 inches from the roadway surface.



Mailbox post must be 12-18 inches back from the edge of curb or roadway