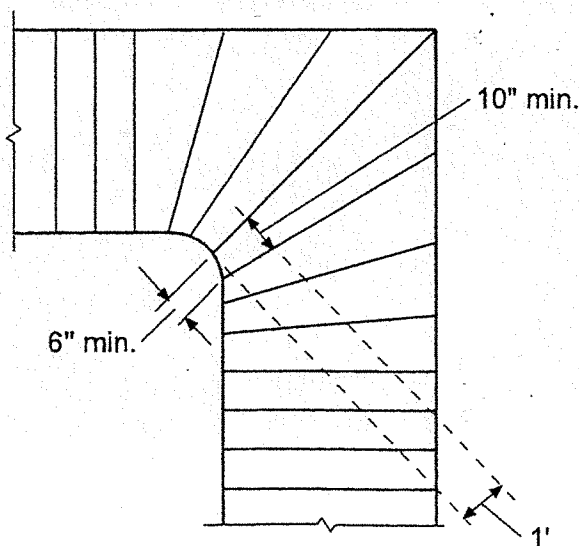
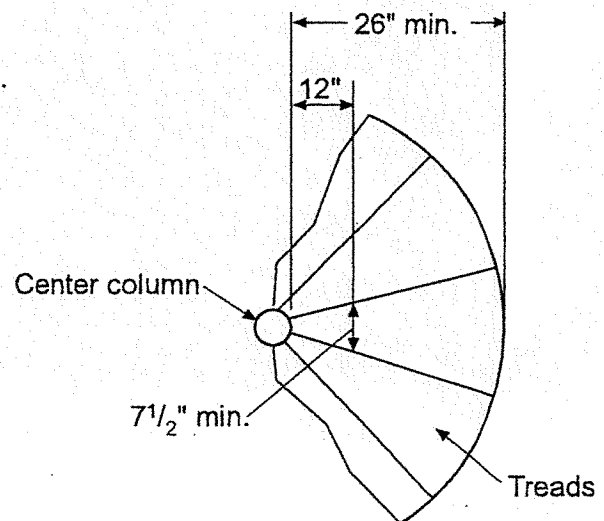


Special Stairways

- Winders to have minimum tread depth of 6 inches
 - Tread depth to be at least 10 inches at any point more than 12 inches from the narrow side
 - Provided with continuous handrail located on side of stairway where tread is narrower
- Special stairways permitted as means of egress regardless of floor area served
 - Minimum stair width of 26 inches
 - Minimum tread depth of 7 ½ inches at point 12 inches from narrow edge
 - Minimum riser height of 9 ½ inches
 - Minimum headroom clearance of 6 feet, 6 inches
- Circular stairways to have uniform tread at any walking line, measured a consistent distance from a stairway side
 - Tread depth to be a minimum of 6 inches
 - At a point within 12 inches of narrow edge, tread depth to be a minimum of 11 inches
- Bulkhead enclosure stairways exempt from landing, stairway and handrail provisions, provided:
 - Not part of required egress
 - Used as access from the outside grade level to the basement
 - Maximum height from basement finished floor level to grade adjacent to the stairway is covered by bulkhead enclosure with hinged doors or other approved means



Winders



Spiral stairs