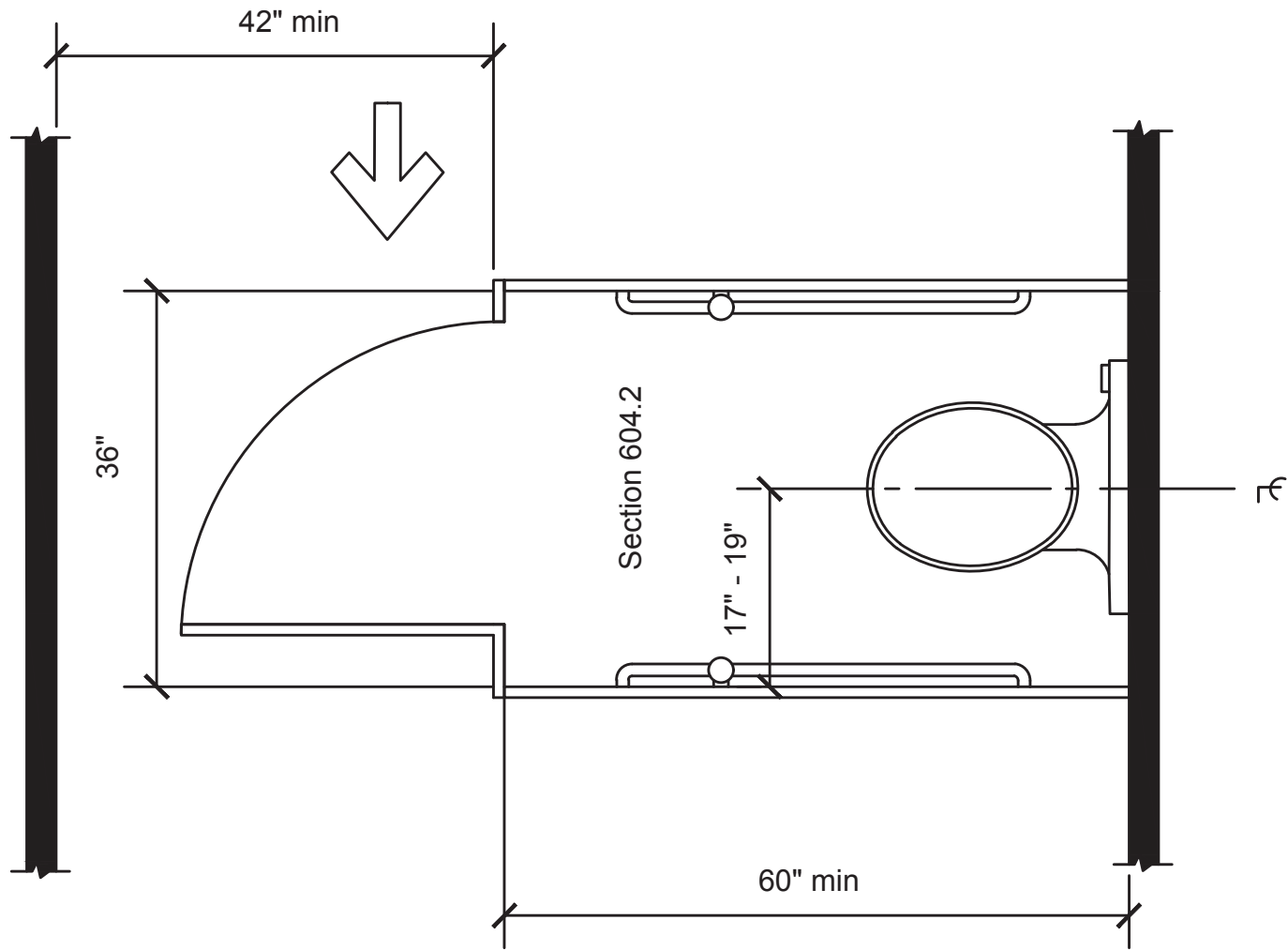


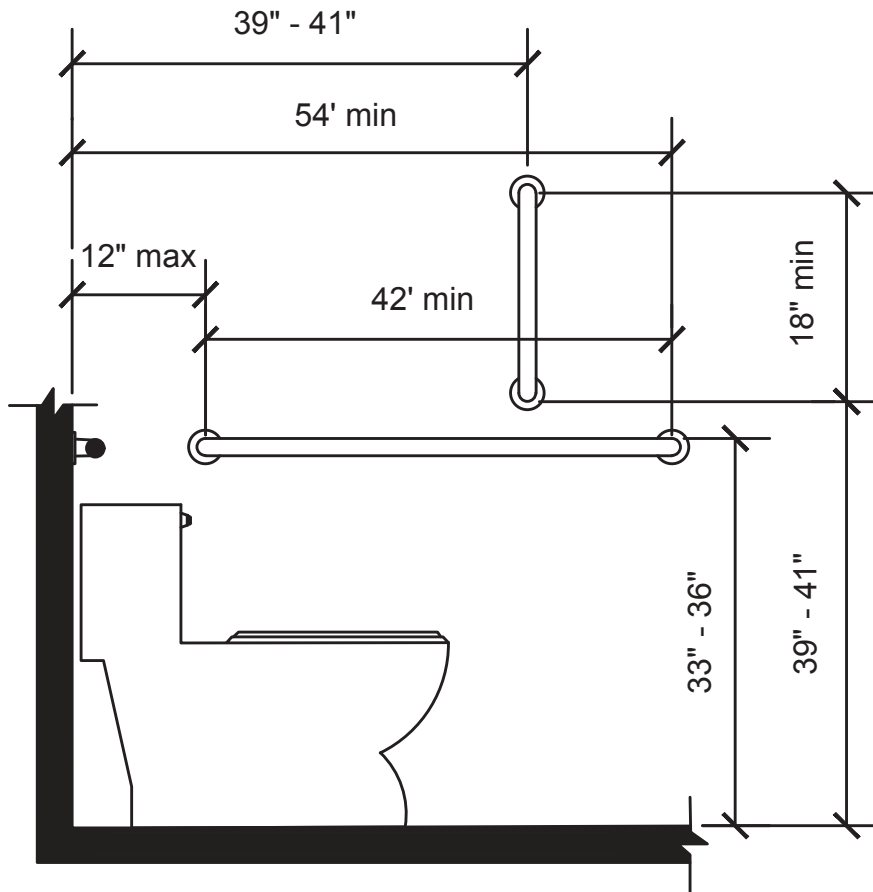
DRAWN BY: GEP

MULTI-STALL LAYOUT



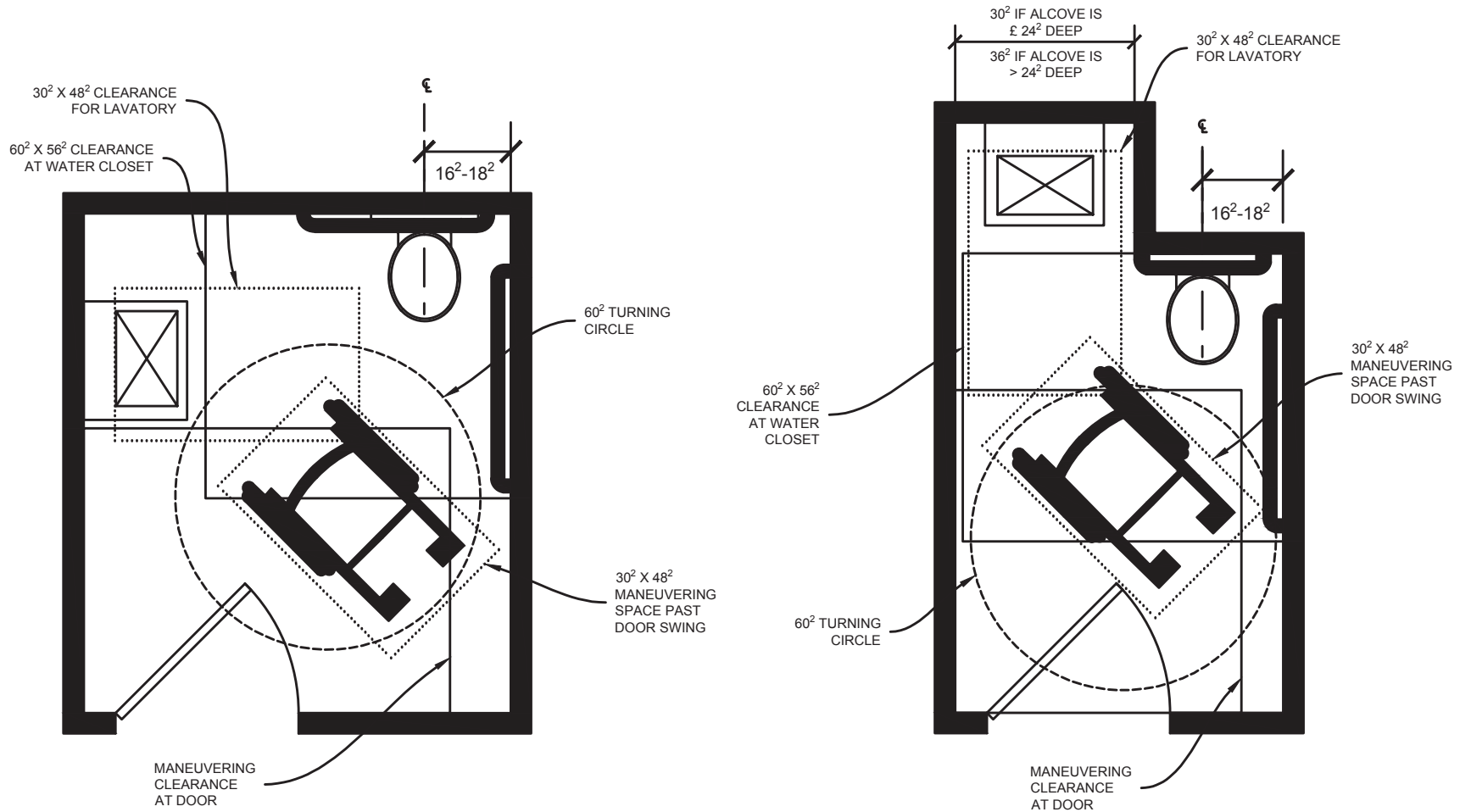
DRAWN BY: GEP

AMBULATORY ACCESSIBLE STALL



DRAWN BY: GEP

WATER CLOSET: SIDE VIEW



NOTES

1. MANEUVERING SPACES CAN OVERLAP.
2. A PLUMBING FIXTURE CANNOT BE IN THE MANEUVERING SPACE OF ANOTHER FIXTURE.



DRAWN BY: GEP

EXAMPLES